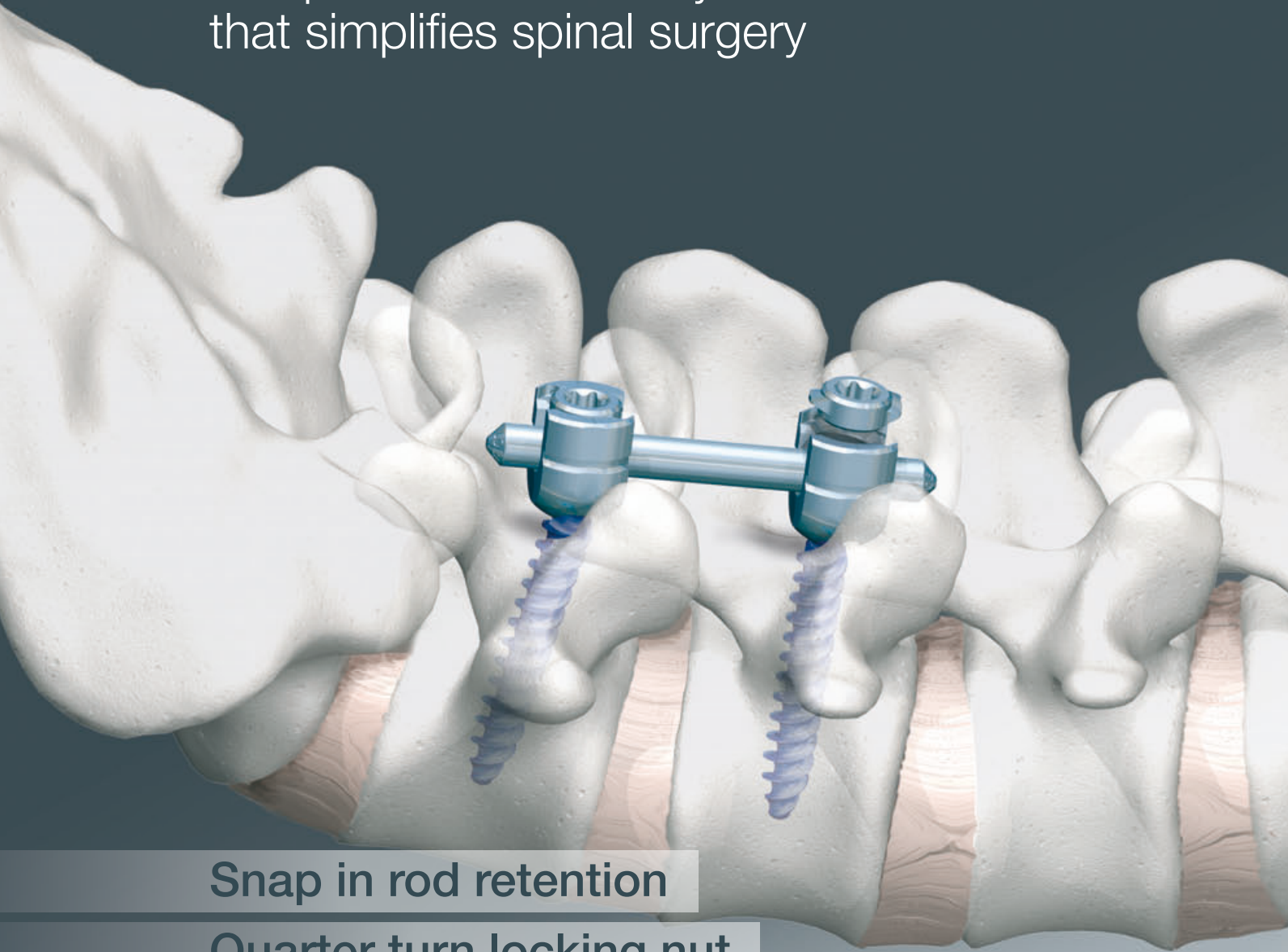


# SmartFix™

The posterior fixation system  
that simplifies spinal surgery



Snap in rod retention

Quarter turn locking nut

Polyaxiality lock and unlock

Smart  Spine  
[www.smartspine.fr](http://www.smartspine.fr)

# SmartFix™

Posterior fixation system

## Snap-in rod

Retentive head design immediately keeps the rod in position : facilitates alignment and prevents rod rejections by soft tissues.



## Dual threads

Two different types of threads, each specifically adapted to a given environment : proximally, a cylindrical section ensures load bearing capabilities and optimum pedicle filling, distally a cylindrical pitch over a conical section provides good retention in cancellous bones.

## SmartFix features :

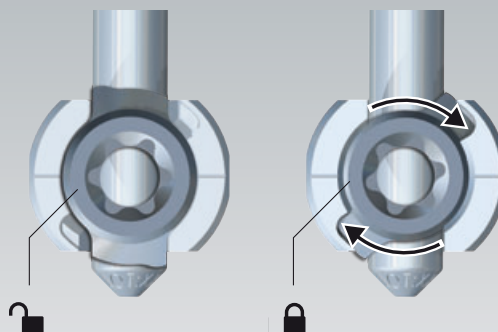
**Material :** The biocompatibility and mechanical properties of titanium ensures high strength and excellent durability even in the most demanding configurations.

**Instruments :** Compatible with minimally invasive procedures, all instruments are designed to be operated with guide wires.



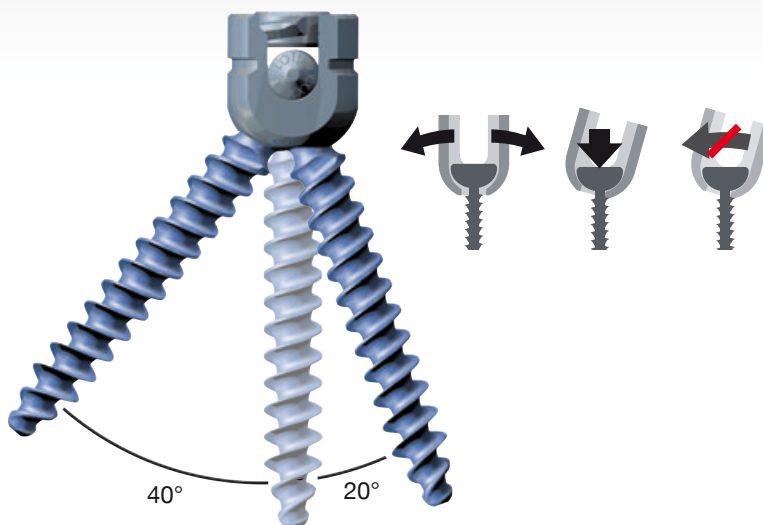
## Quarter turn locking

Optimally lock the nut on the screw within a 90° angle. Lock the rod firmly with minimal effort.



## Polyaxial lock/unlock

The 60° range of motion ensures comfortable adjustments in all reduction situations. In addition, the screw can be locked in a given configuration via its releasable polyaxial lock that facilitates reduction, distraction, compression and derotation by providing direct action on the vertebrae.



## Less invasive

Available with perforated screws in 6.5mm diameter for minimal invasive insertion and/or better precision in screw positioning, avoiding misdirection.

Distributed by :

**SmartSpine**  
www.smartspine.fr

## SmartSpine SAS

186, Bd Pasteur - Centre d'Activité Pasteur  
F-13730 Saint Victoret - France  
Phone: +33 4 42 34 63 89 - Fax: +33 4 88 71 44 30  
info@smartspine.fr  
www.smartspine.fr